

VESA Mount Adapter Kit for Apple iMac 27" & 24" Computers

Installation Guide

Installation of the VESA Mount Adapter Kit

To mount your iMac 27" or 24" computer with a VESA-compatible mounting device, attach the VESA Mount Adapter Kit to the stand of your iMac.

STEP 1.

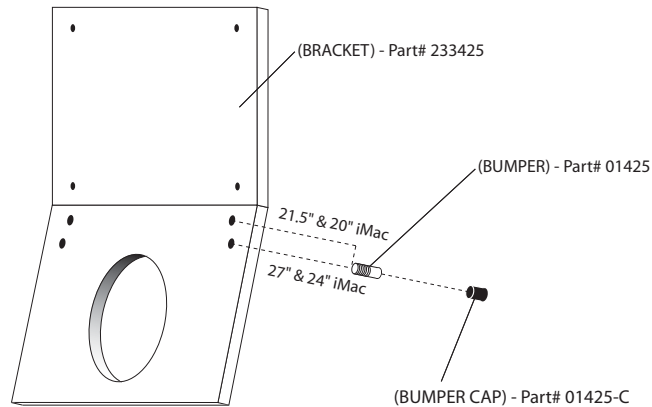
First, turn off your iMac computer. Unplug the DC power cord from the power source and then from the computer. Unplug all attached cables from the back of the computer and carefully remove cables through the cable management hole provided on the stand of the iMac.

Contact Information:

BMS Michigan
Address: 36580 Catalpa Lane, New Baltimore, MI 48047
Phone: 810-650-9164
Email: info@imacmount.com
Web Site: www.imacmount.com

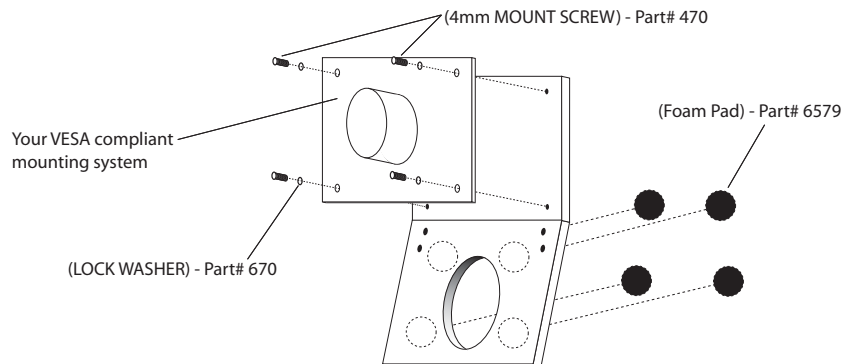
Installation of the VESA Mount Adapter Kit continued...

- STEP 2.** The bracket ships preassembled to fit the iMac 27" and 24" stand. If mounting a 21.5" or 20" iMac computer, the "Bumpers" located on either side of the bracket must be repositioned to the appropriate hole. Slip the "Bumper Cap" back over the bumper when completed.



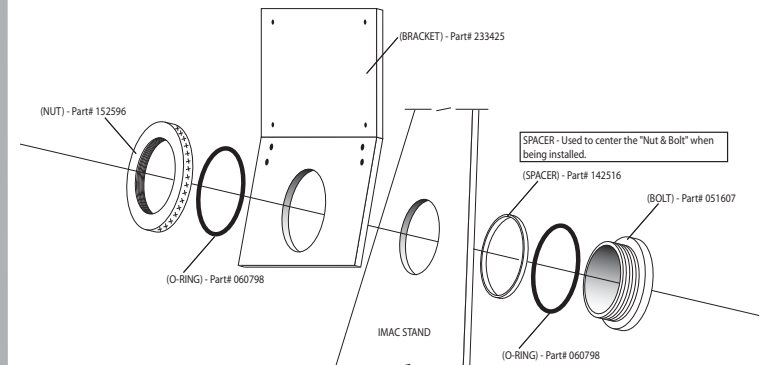
Installation of the VESA Mount Adapter Kit continued...

- STEP 3.** Apply (4) "Foam Pads" provided to the underside of the "Bracket" as shown below. You can then choose to mount the "Bracket" to your VESA mounting system using the 4mm "Mount Screws" and "Lock Washers" provided, or wait until after attaching the bracket to the stand of the iMac.



Installation of the VESA Mount Adapter Kit continued...

- STEP 4.** The "O-Rings" and "Spacer" may shift around during shipping. Make sure the rubber "O-Rings" are snapped in the grooves of the "Nut" and "Bolt". Also, make sure the "Spacer" is pushed all the way down to the rim on the "Bolt".



Installation of the VESA Adapter Bracket continued...

- STEP 5.** Position "Bracket" to the front of the stand with "Bumpers" along the sides and align hole with the cable management hole on the stand. From the back, push the "Bolt" completely through having the "O-Ring" pressed against the stand. Tighten the "Nut" on to the "Bolt" turning clockwise until both "O-Rings" grip and you can no longer turn the "Nut". Try twisting "Bracket" and tighten the "Nut" more if needed. Your iMac is now ready to be mounted.

